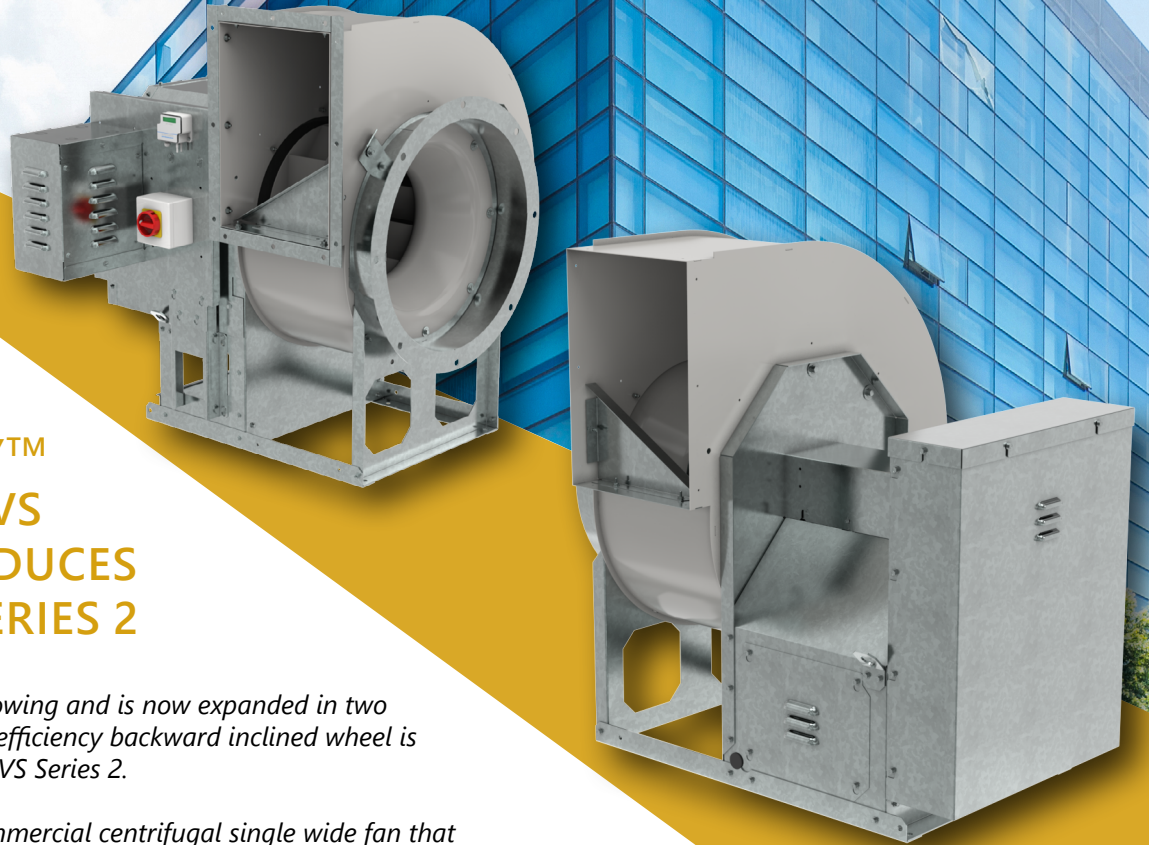


UVS Series 2

Utility Vent Set Fans



PENN BARRY™ EXPANDS UVS AND INTRODUCES NEW UVS SERIES 2

The UVS family is growing and is now expanded in two series. The new high efficiency backward inclined wheel is added to make the UVS Series 2.

New Series 2 is a commercial centrifugal single wide fan that meets higher efficiency requirements in a Class 1 construction and has more features than its Series 1 counterpart.

Combined with the Series 1 offering, PennBarry's UVS fans can meet a wide range of performance demands and feature requirements.

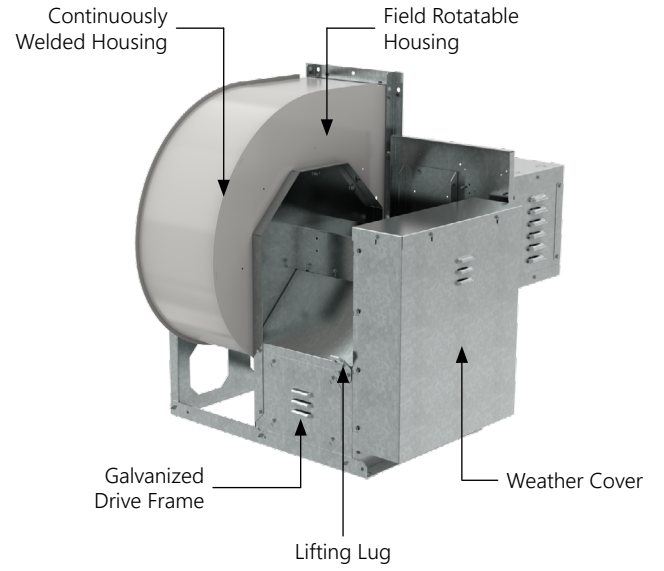
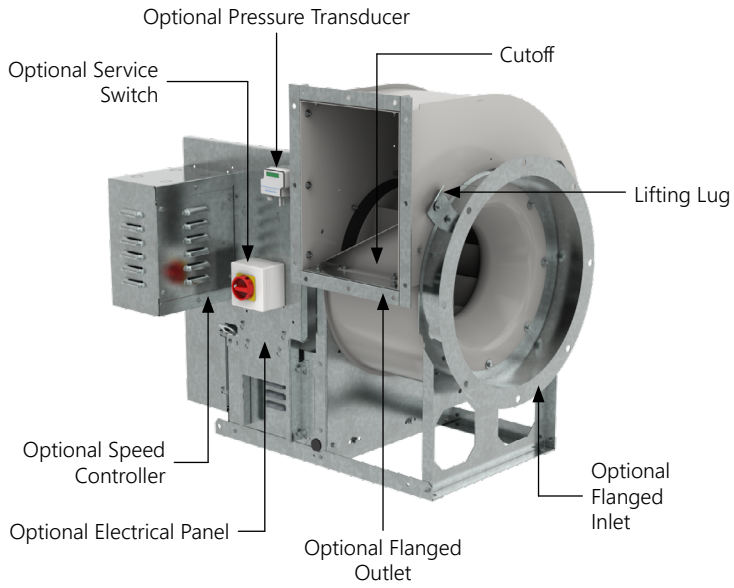
FEATURES AND BENEFITS

- Increased efficiency points, up to 76% peak static efficiency
- AMCA Air, Sound & FEI certification
- cUL705 certification, with Restaurant Exhaust and Smoke Control
- Static pressure up to 7.5" wg. (1,866 pa)
- Flow capacity up to 63,000 CFM (29,732 L/s)
- Belt and Direct drive
- Indoor and Outdoor application
- Supply or Exhaust
- Mild steel and coated housing

ACCESSORIES

- Partial width (direct drive only)
- Base or rooftop mounting
- Ventilated, lined & insulated roof curbs with duct drop
- Inlet box for roof curb mount
- Stack extensions, no guy wires needed when used with inlet box
- Expanded EC motor and control solutions
- High temperature options (up to 500F continuous)
- Spark resistant construction A, B and C.
- And much more...

Base Mounted Fan



Rooftop Mounted Fan

